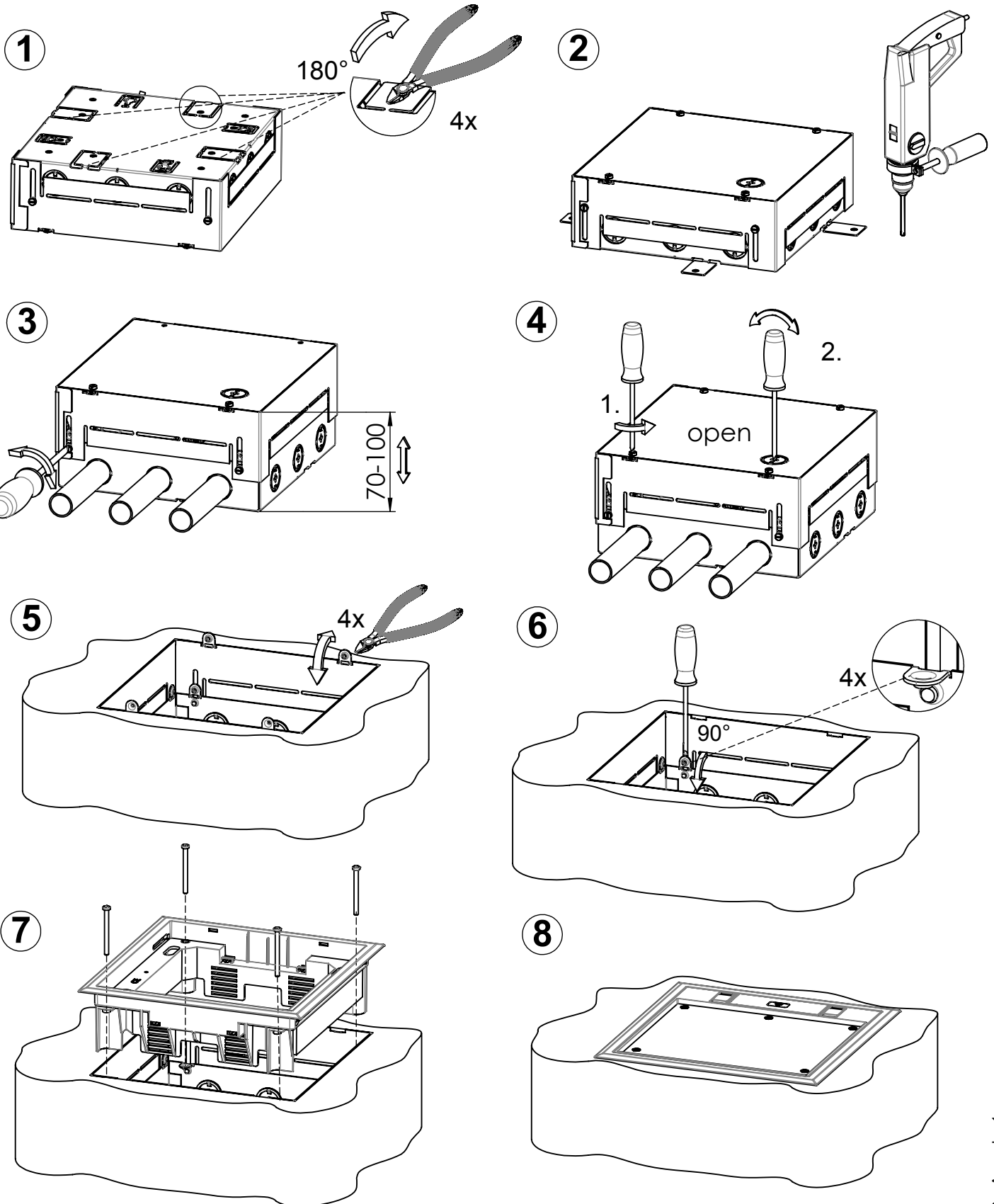


# Montageanleitung / Mounting instruction

## UDHOME BOX 4/9



**OBO Bettermann Holding  
GmbH & Co. KG**  
P. O. Box 1120  
58694 Menden  
GERMANY

**Customer Service:**  
Tel.: +49 2373 89 - 17 00  
Fax.: +49 2373 89 -12 38  
info@obo.de  
www.obo-bettermann.com